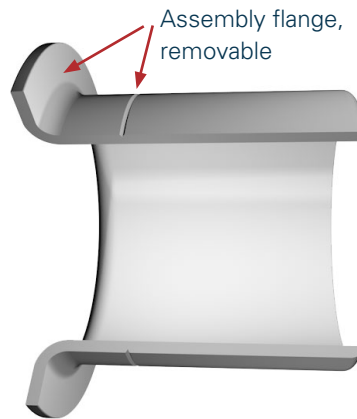
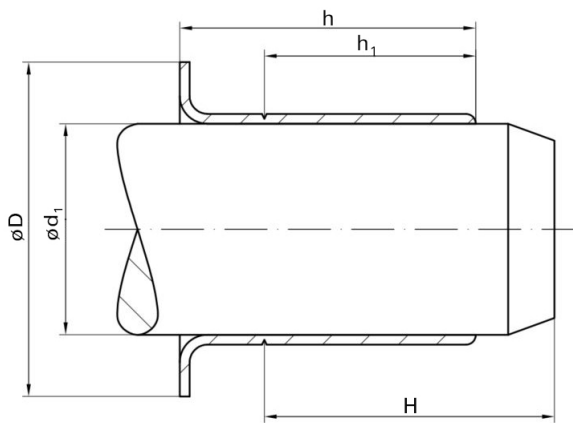


Shaft Repair Sleeves

Inch Sizes



anyseals No.	Alternative Reference	Shaft Ø Range		Nominal Shaft Ø d ₁	Flange Ø D	Width on Shaft h ₁	Overall Width h	Installation Tool Depth H
		Min [inch]	Max [inch]					
326354	99049	0.469	0.475	0.472	0.610	0.236	0.331	1.874
473654	99050	0.498	0.502	0.500	0.610	0.248	0.343	2.000
473655	99055	0.547	0.551	0.551	0.752	0.248	0.390	1.831
473656	99056	0.560	0.566	0.563	0.752	0.248	0.390	1.831
473657	99059	0.589	0.593	0.591	0.752	0.197	0.354	1.862
473658	99062	0.623	0.627	0.625	0.752	0.315	0.406	2.000
473659	99058	0.626	0.630	0.630	0.717	0.315	0.437	2.000
468582	99068	0.667	0.671	0.669	0.874	0.315	0.433	2.000
473660	99060	0.682	0.686	0.684	0.894	0.315	0.437	2.000
473661	99082	0.704	0.709	0.706	0.961	0.315	0.433	1.811
473662	99076	0.748	0.752	0.750	0.945	0.315	0.437	2.000
473663	99081	0.759	0.761	0.760	0.937	0.315	0.437	2.000
473664	99080	0.780	0.784	0.781	0.937	0.315	0.437	2.000
325287	99078	0.785	0.789	0.787	0.929	0.315	0.433	2.000
473665	99083	0.812	0.815	0.813	1.188	0.375	0.563	3.000
473666	99086	0.857	0.861	0.859	1.154	0.248	0.374	2.000
466068	99084	0.861	0.866	0.866	1.189	0.260	0.358	1.854
325839	99085	0.861	0.866	0.866	1.189	0.315	0.472	1.811
473667	99087	0.873	0.877	0.875	1.094	0.315	0.437	2.000
473668	99091	0.908	0.912	0.910	1.217	0.315	0.437	1.846
373610	99092	0.940	0.945	0.945	1.130	0.315	0.437	2.000
473669	99094	0.966	0.970	0.969	1.130	0.315	0.437	2.000
473670	99096	0.966	0.970	0.969	1.130	0.626	0.720	2.000
319085	99098	0.982	0.986	0.984	1.299	0.315	0.433	2.000
325849	99100	0.998	1.002	1.000	1.220	0.315	0.437	2.000
473671	99103	1.019	1.024	1.024	1.315	0.315	0.472	1.811
473672	99106	1.060	1.064	1.063	1.319	0.315	0.437	1.843
473673	99108	1.087	1.091	1.089	1.406	0.315	0.437	0.626
325840	99111	1.100	1.104	1.102	1.374	0.374	0.500	1.843

Shaft Repair Sleeves

Inch Sizes



anyseals No.	Alternative Reference	Shaft Ø Range		Nominal Shaft Ø d ₁ [inch]	Flange Ø D (± 0.063) [inch]	Width on Shaft h ₁ (± 0.031) [inch]	Overall Width h (± 0.031) [inch]	Installation Tool Depth H Max [inch]
		Min [inch]	Max [inch]					
473674	99112	1.123	1.127	1.125	1.500	0.315	0.437	0.689
473675	99116	1.123	1.127	1.125	1.500	0.374	0.500	0.689
473676	99120	1.154	1.158	1.156	1.350	0.374	0.500	0.689
473677	99122	1.173	1.178	1.175	1.402	0.315	0.437	0.689
319078	99114	1.179	1.184	1.181	1.402	0.315	0.433	0.689
473678	99118	1.185	1.190	1.188	1.402	0.315	0.437	0.689
473679	99123	1.216	1.222	1.219	1.563	0.315	0.433	0.626
473680	99141	1.237	1.243	1.240	1.539	0.315	0.437	0.689
473681	99125	1.247	1.253	1.252	1.500	0.315	0.437	0.689
423742	99128	1.257	1.263	1.260	1.500	0.315	0.437	0.689
473682	99121	1.297	1.301	1.299	1.594	0.591	0.709	0.813
473683	99129	1.308	1.314	1.313	1.598	0.248	0.374	0.815
473684	99131	1.310	1.316	1.313	1.594	0.500	0.626	0.815
473685	99134	1.333	1.339	1.339	1.626	0.500	0.626	0.815
473686	99133	1.371	1.377	1.375	1.638	0.315	0.437	0.815
469785	99138	1.371	1.377	1.375	1.638	0.500	0.626	0.815
319080	99139	1.375	1.381	1.375	1.638	0.512	0.630	0.815
325841	99146	1.411	1.417	1.417	1.780	0.512	0.669	0.984
473687	99143	1.432	1.438	1.438	1.780	0.563	0.689	1.016
473688	99144	1.435	1.441	1.438	1.780	0.374	0.500	1.016
469794	99147	1.490	1.496	1.496	1.780	0.512	0.669	0.984
473689	99149	1.497	1.503	1.500	1.780	0.563	0.689	1.016
326039	99150	1.497	1.503	1.500	1.780	0.374	0.500	1.016
473690	99152	1.520	1.526	1.523	1.858	0.437	0.563	1.016
466151	99155	1.549	1.555	1.552	1.858	0.437	0.563	1.016
327193	99156	1.559	1.565	1.563	1.858	0.563	0.689	1.016
473691	99159	1.566	1.572	1.569	1.858	0.626	0.752	1.016
319993	99153	1.569	1.575	1.575	1.846	0.390	0.508	1.000
325850	99157	1.572	1.578	1.578	1.850	0.512	0.630	1.024
473692	99160	1.602	1.608	1.605	1.937	0.500	0.642	1.000
473693	99163	1.608	1.614	1.614	1.937	0.500	0.626	1.016
473694	99161	1.622	1.628	1.625	1.874	0.315	0.437	1.016
473695	99162	1.622	1.628	1.625	1.874	0.563	0.689	0.815
473696	99166	1.647	1.654	1.650	2.087	0.445	0.571	0.843
325851	99169	1.647	1.654	1.650	2.087	0.563	0.689	0.827
473697	99165	1.653	1.659	1.656	2.087	0.551	0.689	0.827
473699	99168	1.684	1.690	1.688	1.906	0.563	0.689	0.874
473698	99167	1.685	1.691	1.688	1.906	0.315	0.437	0.874
473700	99182	1.687	1.693	1.693	1.906	0.500	0.626	0.839
473701	99171	1.715	1.721	1.719	2.031	0.563	0.689	0.815

Shaft Repair Sleeves

Inch Sizes



anyseals No.	Alternative Reference	Shaft Ø Range		Nominal Shaft Ø d ₁ [inch]	Flange Ø D (± 0.063) [inch]	Width on Shaft h ₁ (± 0.031) [inch]	Overall Width h (± 0.031) [inch]	Installation Tool Depth H Max [inch]
		Min [inch]	Max [inch]					
473702	99170	1.736	1.742	1.739	2.063	0.374	0.500	0.815
473703	99172	1.747	1.753	1.750	2.055	0.374	0.500	0.815
473704	99174	1.747	1.753	1.750	2.063	0.563	0.689	0.815
473705	99175	1.747	1.753	1.750	2.063	0.752	0.874	0.815
473706	99180	1.747	1.753	1.750	2.063	0.531	0.626	0.878
473707	99176	1.761	1.767	1.766	2.063	0.563	0.689	0.815
319082	99177	1.769	1.775	1.772	2.087	0.551	0.669	0.811
473708	99179	1.778	1.784	1.781	2.126	0.665	0.799	1.063
473709	99181	1.809	1.815	1.813	2.091	0.563	0.689	1.000
473710	99185	1.857	1.863	1.859	2.157	0.563	0.689	1.000
473711	99186	1.866	1.872	1.868	2.189	0.890	1.024	1.000
473712	99184	1.872	1.878	1.875	2.205	0.374	0.516	1.047
473713	99187	1.872	1.878	1.875	2.205	0.563	0.689	1.000
473714	99188	1.872	1.878	1.875	2.205	0.295	0.413	0.740
473715	99190	1.872	1.878	1.875	2.205	0.177	0.295	0.740
473716	99189	1.887	1.893	1.891	2.205	0.551	0.669	0.984
473717	99192	1.909	1.915	1.912	2.220	0.374	0.500	1.000
473718	99193	1.934	1.940	1.938	2.220	0.563	0.689	1.000
319081	99196	1.965	1.971	1.969	2.244	0.551	0.669	0.984
473719	99198	1.977	1.983	1.980	2.315	0.563	0.705	1.047
473720	99199	1.997	2.003	2.000	2.406	0.563	0.689	1.000
473721	99200	1.997	2.003	2.000	2.406	0.874	1.000	1.000
473722	99204	2.040	2.047	2.047	2.469	0.500	0.626	1.358
473723	99205	2.057	2.063	2.063	2.469	0.780	0.937	1.374
473724	99210	2.123	2.128	2.125	2.421	0.500	0.752	1.280
473725	99212	2.124	2.130	2.125	2.421	0.780	0.937	1.374
319084	99215	2.162	2.168	2.165	2.441	0.787	0.906	1.252
473726	99218	2.186	2.192	2.188	2.500	0.780	0.937	1.315
473728	99220	2.198	2.205	2.205	2.531	0.500	0.626	1.315
473729	99229	2.227	2.233	2.230	2.531	0.500	0.626	1.315
473730	99230	2.227	2.233	2.230	2.531	0.780	0.906	1.252
473731	99226	2.237	2.243	2.240	2.563	0.764	0.902	1.252
473732	99225	2.249	2.255	2.250	2.531	0.780	0.937	1.315
469793	99227	2.249	2.255	2.250	2.531	0.315	0.437	1.315
473733	99219	2.280	2.286	2.283	2.598	0.781	0.938	1.375
473734	99231	2.309	2.315	2.313	2.689	0.780	0.937	1.374
473735	99233	2.327	2.333	2.328	2.748	0.752	0.874	1.500
319083	99235	2.359	2.365	2.362	2.783	0.787	0.906	1.469
326789	99241	2.359	2.365	2.362	2.783	0.370	0.449	1.374
473736	99236	2.369	2.375	2.375	2.748	0.780	0.937	1.374

Shaft Repair Sleeves

Inch Sizes



anyseals No.	Alternative Reference	Shaft Ø Range		Nominal Shaft Ø d ₁ [inch]	Flange Ø D (± 0.063) [inch]	Width on Shaft h ₁ (± 0.031) [inch]	Overall Width h (± 0.031) [inch]	Installation Tool Depth H Max [inch]
		Min [inch]	Max [inch]					
473737	99238	2.372	2.378	2.375	2.748	0.594	0.752	1.374
473736	99237	2.374	2.380	2.375	2.748	0.780	0.937	1.374
473738	99240	2.374	2.380	2.375	2.748	0.528	0.685	1.374
473740	99243	2.434	2.440	2.438	2.827	0.780	0.937	1.394
330641	99244	2.434	2.441	2.441	2.827	0.500	0.626	1.421
473739	99242	2.435	2.441	2.438	2.827	0.500	0.626	1.421
473741	99249	2.489	2.495	2.492	2.874	0.780	0.937	1.394
473744	99253	2.497	2.503	2.500	2.819	0.555	0.650	0.890
473742	99248	2.500	2.506	2.500	2.827	0.500	0.657	1.394
473743	99250	2.500	2.506	2.500	2.819	0.780	0.937	1.374
473745	99251	2.510	2.516	2.516	2.827	0.780	0.906	1.437
325170	99254	2.556	2.562	2.559	2.850	0.787	0.906	1.374
473746	99256	2.560	2.566	2.563	2.890	0.780	0.937	1.374
473747	99259	2.595	2.601	2.598	2.992	0.780	0.937	1.252
473748	99261	2.618	2.624	2.621	3.047	0.780	0.937	1.374
473751	99264	2.621	2.627	2.625	3.047	0.780	0.906	1.374
473749	99260	2.622	2.628	2.625	3.047	0.500	0.626	1.374
473750	99262	2.625	2.631	2.625	3.047	0.780	0.937	1.374
473752	99266	2.670	2.677	2.677	3.126	0.752	0.874	1.689
473753	99268	2.727	2.733	2.730	3.126	0.780	0.906	1.315
473754	99273	2.740	2.746	2.743	3.063	0.780	0.937	1.252
473755	99267	2.747	2.753	2.750	3.075	1.437	1.626	1.626
473756	99270	2.747	2.753	2.750	3.126	0.780	0.937	1.252
424226	99269	2.750	2.756	2.750	3.126	1.126	1.252	1.311
325852	99272	2.750	2.756	2.750	3.126	0.406	0.563	1.252
325842	99276	2.753	2.759	2.756	3.126	0.787	0.945	1.252
473757	99281	2.809	2.815	2.813	3.189	0.594	0.689	1.252
424022	99284	2.828	2.835	2.835	3.224	0.752	0.874	1.343
473758	99282	2.838	2.844	2.838	3.224	0.500	0.657	1.252
473759	99286	2.866	2.872	2.869	3.189	0.780	0.937	1.252
473760	99287	2.873	2.879	2.875	3.220	0.780	0.937	1.252
473761	99290	2.937	2.943	2.938	3.343	0.500	0.642	1.331
473762	99293	2.937	2.943	2.938	3.343	0.780	0.937	1.315
424277	99289	2.950	2.956	2.953	3.272	0.594	0.689	1.083
325843	99294	2.950	2.956	2.953	3.307	0.866	1.024	1.315
473763	99292	2.972	2.976	2.974	3.236	0.811	1.000	1.252
473764	99291	2.990	2.996	2.993	3.358	0.484	0.626	1.331
473765	99298	2.990	2.996	2.993	3.358	0.563	0.689	1.374
473766	99299	2.990	2.996	2.993	3.350	0.811	1.000	1.280
473767	99296	2.997	3.003	3.000	3.240	0.811	0.937	1.374

Shaft Repair Sleeves

Inch Sizes



anyseals No.	Alternative Reference	Shaft Ø Range		Nominal Shaft Ø d ₁	Flange Ø D	Width on Shaft h ₁	Overall Width h	Installation Tool Depth H
		Min [inch]	Max [inch]					
473768	99300	3.000	3.006	3.000	3.236	0.811	1.000	1.280
473769	99303	3.000	3.006	3.000	3.346	0.626	0.811	1.280
473770	99301	3.008	3.014	3.011	3.354	0.500	0.626	2.000
473771	99306	3.064	3.071	3.071	3.465	0.752	0.874	2.055
473773	99311	3.120	3.126	3.125	3.531	0.689	0.811	2.000
473774	99312	3.120	3.126	3.125	3.531	0.811	1.000	2.000
473772	99307	3.124	3.132	3.125	3.524	0.551	0.709	2.031
473775	99313	3.142	3.150	3.146	3.539	0.752	0.886	1.374
320489	99315	3.146	3.153	3.150	3.543	0.827	0.945	1.374
320294	99317	3.146	3.153	3.150	3.543	0.433	0.591	1.374
473776	99328	3.225	3.231	3.228	3.587	0.661	0.846	1.752
473777	99322	3.247	3.253	3.250	3.594	0.811	1.000	1.374
473778	99324	3.250	3.256	3.250	3.575	0.594	0.720	1.374
473779	99325	3.250	3.256	3.250	3.587	0.811	1.000	1.374
473780	99326	3.250	3.256	3.250	3.587	0.689	0.874	1.252
473781	99331	3.307	3.313	3.310	3.689	0.811	1.000	1.374
473782	99332	3.337	3.347	3.342	3.701	0.669	0.827	1.378
325853	99333	3.337	3.347	3.342	3.701	0.827	0.984	1.378
473783	99334	3.338	3.346	3.346	3.579	0.398	0.500	1.429
473784	99337	3.373	3.379	3.375	3.693	0.811	1.000	1.374
473785	99338	3.373	3.379	3.375	3.689	0.374	0.500	1.409
473786	99339	3.435	3.441	3.438	3.843	0.780	0.906	1.406
473787	99340	3.477	3.483	3.480	3.835	0.780	0.906	1.406
473788	99346	3.497	3.503	3.500	3.843	0.626	0.811	1.346
473789	99347	3.500	3.506	3.500	3.827	0.315	0.500	1.346
473790	99350	3.500	3.506	3.500	3.843	0.811	1.000	1.346
473791	99349	3.501	3.507	3.504	3.843	0.626	0.811	1.346
327553	99351	3.540	3.546	3.543	4.000	0.709	0.906	1.811
473792	99352	3.540	3.546	3.543	4.000	0.437	0.539	1.811
473793	99353	3.540	3.546	3.543	4.000	0.528	0.665	1.752
319079	99354	3.540	3.546	3.543	4.000	0.906	1.102	1.752
473794	99356	3.560	3.566	3.563	3.902	0.811	1.000	1.752
473795	99360	3.618	3.624	3.621	4.031	0.811	1.000	1.752
473796	99362	3.623	3.629	3.625	4.031	0.811	1.000	1.752
473797	99363	3.623	3.629	3.626	4.025	0.500	0.625	1.750
473799	99368	3.684	3.690	3.688	4.031	0.315	0.437	0.874
473798	99365	3.685	3.691	3.688	4.024	0.811	0.937	1.799
473800	99359	3.727	3.733	3.730	4.031	0.469	0.594	1.799
473801	99366	3.727	3.733	3.730	4.024	0.780	0.906	1.799
325844	99369	3.737	3.743	3.740	4.024	0.827	0.945	1.799

Shaft Repair Sleeves

Inch Sizes



anyseals No.	Alternative Reference	Shaft Ø Range		Nominal Shaft Ø d ₁	Flange Ø D	Width on Shaft h ₁	Overall Width h	Installation Tool Depth H
		Min [inch]	Max [inch]					
469831	99364	3.740	3.746	3.740	4.035	0.469	0.594	1.799
473802	99374	3.740	3.746	3.740	4.031	0.343	0.500	1.799
473828	99490	3.740	3.746	4.921	5.402	0.394	0.551	1.437
473803	99376	3.746	3.752	3.750	4.024	0.563	0.689	1.799
473804	99367	3.750	3.756	3.750	4.024	0.343	0.500	1.799
473805	99372	3.750	3.756	3.750	4.020	0.689	0.874	1.799
473806	99386	3.868	3.874	3.871	4.185	0.813	1.000	1.875
473807	99387	3.873	3.875	3.875	4.220	0.811	1.000	1.874
325845	99393	3.935	3.941	3.937	4.311	0.811	1.000	2.047
473808	99395	3.998	4.006	4.000	4.374	0.598	0.724	2.047
327383	99399	3.998	4.006	4.000	4.374	0.811	1.000	2.047
473809	99400	3.998	4.006	4.000	4.374	0.650	0.776	1.374
473810	99401	3.998	4.006	4.000	4.374	0.500	0.626	2.067
473811	99409	4.090	4.098	4.094	4.437	0.787	0.945	1.417
473812	99412	4.122	4.130	4.125	4.469	0.811	1.000	1.374
325846	99413	4.130	4.138	4.134	4.469	0.787	0.913	1.378
473813	99418	4.183	4.191	4.188	4.500	0.811	1.000	1.374
473814	99423	4.226	4.234	4.234	4.610	0.780	0.906	1.437
473815	99424	4.248	4.256	4.250	4.610	0.811	1.000	1.437
473816	99434	4.322	4.331	4.331	4.921	0.449	0.591	1.295
468562	99435	4.327	4.335	4.328	4.921	0.508	0.650	1.260
473817	99437	4.370	4.378	4.375	4.752	0.811	1.000	1.654
473818	99438	4.402	4.409	4.406	4.752	0.752	0.886	1.299
473819	99439	4.434	4.442	4.438	4.811	1.000	1.142	1.315
473820	99450	4.496	4.504	4.500	4.902	0.811	1.000	1.260
325847	99452	4.523	4.531	4.528	5.000	0.811	0.937	1.260
473821	99463	4.621	4.629	4.626	5.063	1.000	1.252	1.374
473822	99465	4.621	4.629	4.626	5.000	0.437	0.626	1.374
473823	99468	4.685	4.693	4.688	5.063	0.811	1.000	1.374
473824	99471	4.720	4.728	4.724	5.110	0.315	0.433	1.323
327396	99473	4.720	4.728	4.724	5.110	0.787	0.984	1.260
408162	99475	4.746	4.754	4.750	5.000	0.500	0.752	1.500
473825	99472	4.799	4.807	4.803	5.177	0.787	0.945	1.260
473826	99484	4.839	4.847	4.843	5.228	0.787	0.984	1.244
473827	99487	4.871	4.879	4.875	5.248	0.626	0.752	1.437
473829	99492	4.917	4.925	4.921	5.402	1.024	1.260	1.437
473830	99498	4.998	5.006	5.000	5.402	0.689	0.874	1.437
473831	99499	4.998	5.006	5.000	5.390	0.811	1.000	1.437
473832	99501	4.998	5.006	5.000	5.402	0.539	0.681	1.437
473833	99494	5.110	5.118	5.114	5.492	0.752	0.937	1.181

Shaft Repair Sleeves

Inch Sizes



anyseals No.	Alternative Reference	Shaft Ø Range		Nominal Shaft Ø d ₁	Flange Ø D	Width on Shaft h ₁	Overall Width h	Installation Tool Depth H
		Min [inch]	Max [inch]					
473834	99491	5.117	5.125	5.125	5.492	0.866	0.996	1.280
473835	99513	5.120	5.128	5.125	5.500	0.811	1.000	1.252
473836	99525	5.246	5.254	5.250	5.559	0.811	1.000	1.252
473837	99533	5.307	5.315	5.313	5.736	0.807	1.000	1.252
473838	99537	5.371	5.379	5.375	5.874	0.811	1.000	1.252
473839	99548	5.434	5.442	5.438	5.752	1.500	1.965	1.874
473840	99547	5.472	5.480	5.476	5.902	0.563	0.752	1.232
473841	99549	5.498	5.506	5.500	5.937	0.811	1.000	1.252
473842	99550	5.498	5.506	5.500	5.937	0.520	0.705	1.252
473843	99552	5.508	5.516	5.512	5.945	0.807	1.000	1.252
473844	99560	5.621	5.629	5.625	6.188	0.875	1.000	1.812
473845	99571	5.699	5.709	5.709	6.098	0.752	0.874	1.811
473846	99562	5.726	5.734	5.734	6.098	0.563	0.752	1.937
473847	99575	5.746	5.754	5.750	6.181	0.811	1.000	1.752
473848	99587	5.871	5.879	5.875	6.189	1.000	1.252	1.315
325848	99595	5.896	5.906	5.906	6.260	1.024	1.181	1.280
473849	99596	5.934	5.942	5.938	6.374	1.000	1.126	1.874
473850	99599	5.995	6.003	6.000	6.374	1.000	1.252	1.752
473851	99601	5.995	6.003	6.000	6.358	0.500	0.752	1.752
473852	99605	6.058	6.068	6.063	6.374	1.024	1.181	1.299
473853	99606	6.093	6.102	6.097	6.575	1.024	1.181	1.299
473854	99620	6.198	6.208	6.203	6.626	0.811	1.063	1.752
473855	99625	6.245	6.255	6.250	6.626	1.031	1.252	1.752
473856	99630	6.289	6.299	6.299	6.748	1.000	1.252	1.378
473857	99650	6.495	6.505	6.500	7.000	1.000	1.252	1.378
319638	99640	6.683	6.693	6.688	7.189	1.252	1.496	1.752
473858	99675	6.745	6.755	6.750	7.126	0.811	1.063	1.752
473859	99687	6.880	6.890	6.890	7.362	1.102	1.260	1.378
473860	99700	6.995	7.005	7.000	7.476	1.000	1.252	1.685
325854	99721	7.077	7.087	7.087	7.500	1.299	1.496	1.752
473861	99725	7.244	7.254	7.250	7.760	1.252	1.500	2.173
473862	99726	7.273	7.283	7.278	7.760	1.260	1.496	2.173
473863	99745	7.444	7.454	7.453	7.858	0.811	1.000	1.252
473864	99750	7.495	7.505	7.500	7.874	0.811	1.000	1.252
473865	99775	7.745	7.755	7.750	8.272	1.000	1.315	1.874
441178	99787	7.869	7.879	7.875	8.374	1.358	1.500	1.752
473866	99799	7.933	7.943	7.938	8.374	1.000	1.252	1.752
473867	99800	7.995	8.005	8.000	8.374	1.000	1.252	1.752