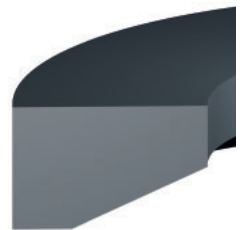
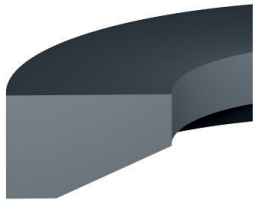




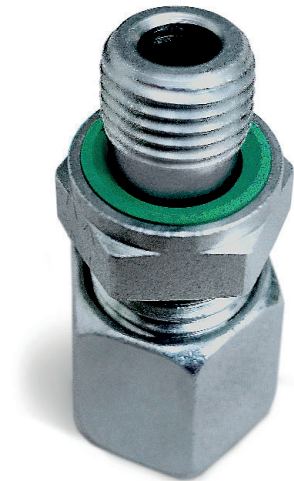
## Profile Rings WR-15 according DIN 3869



# Profile Rings WR-15



**Profile rings WR-15 acc. DIN 3869** are axial-static sealing rings made of elastomer used in threaded joints and tube fittings.



## Advantages

- low leakage even with low viscous media
- high resistance to gap extrusion
- low cross-sectional deformation also under pressure
- easy to assemble
- no twisting in the groove

## Applications

axial-static seal in threaded joints for:

Construction machinery  
Machine tools  
Hydraulic presses  
Injection molding machinery  
Agricultural machinery  
Shipbuilding  
Hydraulic valves  
Fittings

## Material NBR 85 black

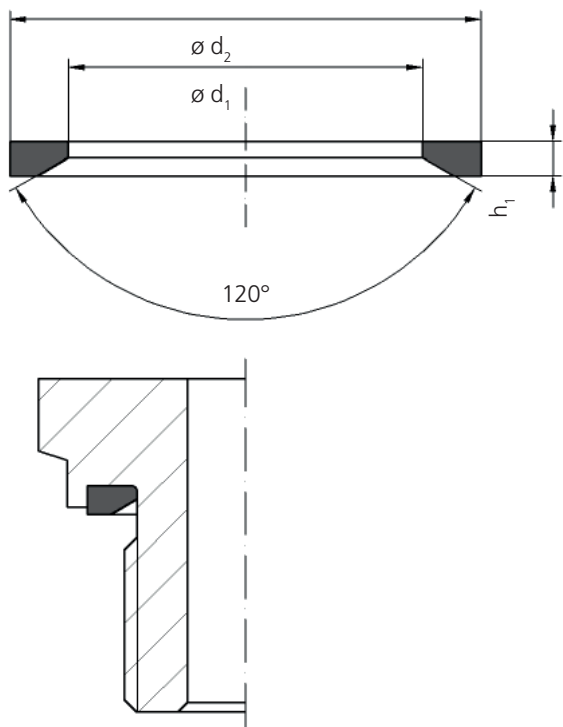
**NBR has good resistance** to mineral oil-based oils and greases, aliphatic hydrocarbons, vegetable and animal oils and fats, hydraulic oils H, H-L, H-LP, hydraulic fluids HFA, HFB, HFC, silicone oils and silicone greases, water (max. 80°C).

**NBR is not resistant** to fuels with high aromatic content, aromatic hydrocarbons, chlorinated hydrocarbons, polar solvents, hydraulic fluid HFD, glycol-based brake fluids, ozone, weathering, ageing.

## Application temperature range:

-30°C to +100°C





Nominal size	Metric	Inch	Dimensions		
			$d_1$	$d_2$	$h_1$
8	M 8 x 1		6.5	9.9	1.0
10	M 10 x 1	G 1/8 A	8.4	11.9	1.0
12	M 12 x 1.5		9.8	14.4	1.5
14	M 14 x 1.5	G 1/4 A	11.6	16.5	1.5
16	M 16 x 1.5		13.8	18.9	1.5
17		G 3/8 A	14.7	18.9	1.5
18	M 18 x 1.5		15.7	20.9	1.5
20	M 20 x 1.5		17.8	22.9	1.5
21		G 1/2 A	18.5	23.9	1.5
22	M 22 x 1.5		19.6	24.3	1.5
27	M 26 x 1.5	G 3/4 A	23.9	29.2	1.5
	M 27 x 2				
30	M 30 x 1.5		27.7	32.7	2.0
33	M 33 x 2	G 1 A	29.7	35.7	2.0
38	M 38 x 1.5		35.9	43.2	2.4
42	M 42 x 2	G 1 1/4 A	38.8	45.8	2.0
48	M 48 x 2	G 1 1/2 A	44.7	50.7	2.0

### Material FKM 80 green

**FKM has good resistance** to mineral oil-based oils and greases, synthetic oils and greases, aliphatic, aromatic and chlorinated hydrocarbons, hydraulic fluids HFD, vegetable and animal oils and fats, silicone oils and silicone greases, fuels, non-polar solvents, ozone, weathering, ageing.

**FKM is not resistant** to glycol-based brake fluids, polar solvents (e.g., acetone), steam, hot water, amines, alkalis, low-molecular organic acids (e.g., acetic acid).

### Application temperature range:

-15 to +200°C

### Material EPDM 80 violet, peroxide cured

**EPDM has good resistance** to hot water and hot steam, many polar solvents (e.g., alcohols, ketones, esters), many organic and inorganic acids and bases, alkaline washing solutions, silicone oils and silicone grease, ozone, weathering, ageing.

**EPDM is not resistant** to all kinds of mineral oil products (oils, greases, fuels)

### Application temperature range:

-45°C to +150°C

**Also available in FFKM evolast® for applications in particularly critical application conditions.**

Temperature range according to the different evolast® compounds: either min. -40°C or up to max. +340°C







**anyseals, inc.**

anyseals USA  
10391 Brecksville Road  
Brecksville, Ohio 44141, USA  
**T** 866 - 676 - 99 34  
**F** 216 676 - 99 35  
**E** [info@anyseals.com](mailto:info@anyseals.com)  
**W** [www.anyseals.com](http://www.anyseals.com)

**anyseals NV**

Preenakker 2-4  
1785 Merchtem  
Belgium  
**T** + 32 (0)52 – 38 19 20  
**E** [info@anyseals.eu](mailto:info@anyseals.eu)  
**W** [www.anyseals.eu](http://www.anyseals.eu)

**anyseals NV**

Office Germany  
Hagenau 1  
D-22089 Hamburg  
**T** +49 (0) 40-25 32 92 -11  
**E** [info@anyseals.eu](mailto:info@anyseals.eu)  
**W** [www.anyseals.eu](http://www.anyseals.eu)

**anyseals NV**

Office Taiwan  
12F-2, 31 Shizheng North 1st Rd.  
Xi-Tun Dist. Taichung 40756  
Taiwan  
**T** +886 4 22515813  
**M** +886 933 580148  
**E** [info@anyseals.tw](mailto:info@anyseals.tw)  
**W** [www.anyseals.tw](http://www.anyseals.tw)

**where distributors go**